

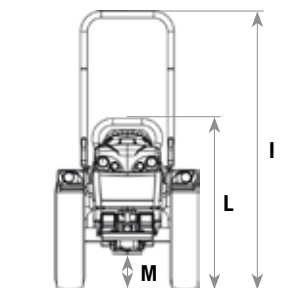
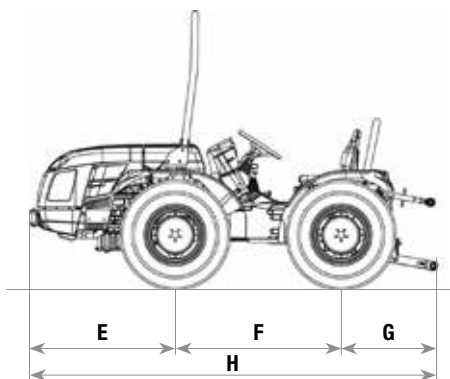
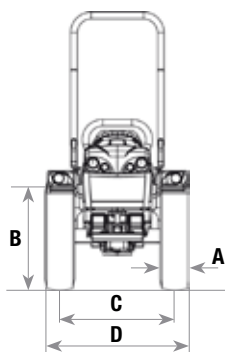
# TECHNICAL FEATURES \_ SIENA AR



	6.50-16	210/95R16	260/70R16	240/70-15
	WITH ADJUSTABLE RIM	WITH ADJUSTABLE RIM	WITH ADJUSTABLE RIM	GARDEN WITH FIXED RIM
<b>A</b> Tyre width (mm)	183	209	258	253
<b>B</b> Tyre diameter (mm)	762	806	770	729
<b>C</b> Wheel track min/max (mm)	806/1182	806/1182	882/1040	906/1082
<b>D</b> Width min/max (mm)	989/1365	1015/1391	1140/1298	1159/1335

TRACTOR DIMENSIONS (AR VERSION) WITH FRONT FRAME (mm):

	E	F	G	H	I Max	L Max	M Min-Max
<b>SIENA K5.30 AR</b>	985	1200	705	2890	1990	1174	237/258
<b>SIENA K5.40 AR</b>	1055	1200	705	2960	1990	1174	237/258



# TECHNICAL FEATURES \_ SIENA RS



	6.50-16	210/95R16	260/70R16	240/70-15
	WITH ADJUSTABLE RIM	WITH ADJUSTABLE RIM	WITH ADJUSTABLE RIM	GARDEN WITH FIXED RIM
<b>A</b> Tyre width (mm)	183	209	258	253
<b>B</b> Tyre diameter (mm)	762	806	770	729
<b>C</b> Wheel track min/max (mm)	886/1182	886/1182	944/1102	906/1082
<b>D</b> Width min/max (mm)	1069/1365	1095/1391	1202/1360	1159/1335

TRACTOR DIMENSIONS (RS VERSION) WITH FRONT FRAME (mm):

	E	F	G	H	I Max	L Max	M Min-Max
<b>SIENA K6.30 RS</b>	985	1200	705	2890	1990	1174	237/258
<b>SIENA K6.40 RS</b>	1055	1200	705	2960	1990	1174	237/258

# SIENA AR

TECHNICAL FEATURES	SIENA K5.30 AR	SIENA K5.40 AR
<b>ENGINE</b>	KUBOTA D1105	KUBOTA V1505
Number of cylinders	3	4
Displacement (cm <sup>3</sup> )	1123	1498
Intake	Naturally aspired	Naturally aspired
Emission level	Tier 3A	
Power (kW/HP)	19,1 / 26	26,2 / 35,6
Rated speed (rpm)	3000	
Maximum torque (Nm/rpm)	70,4 / 2200	96,5 / 2200
Cooling	Liquid	
Tank capacity (lt)	43	
<b>CHASSIS</b>	Swinging integral chassis (±15°) OS-FRAME with central articulation	
<b>DRIVE</b>	Four-wheel drive, permanent	
<b>TRANSMISSION</b>	Gearbox with easy gear engagement: 8 forward and 4 reverse speeds	
Transmission clutch	Dry single-plate	
<b>DIFFERENTIAL</b>	Front and rear differential lock with mechanical control	
<b>REAR PTO</b>	540 rpm and synchronized with the gearbox	
<b>HYDRAULIC SYSTEM</b>		
Flow rate to the hydroguide, lift and the control valves (lt/min)	16.5	
Maximum hydraulic pressure (bar)	125	
<b>REAR CONTROL VALVES</b>	Mechanical control	
Standard	1 double acting	
Optional and in addition to the standard ones	1 single acting and 1 double acting or 2 double acting one of which with lockable position	
<b>ELECTRIC SYSTEM</b>	Battery 60 Ah / 12 V - Alternator 40 A	
<b>REAR LIFT</b>	By two external rams	
Three-point hitches	With standard couplers cat. 1	
Three-point tie bar	With manual length adjustment	
Ball joint lifting capacity (kg)	1,050	
<b>DRIVING POSITION</b>	Semi-platform	
Seat with safety belts	Comfortable seat with a device that allows it to be regulated as to distance from controls, height and suspension adjustable according to the driver's weight	
<b>SERVICE BRAKES</b>	Drum brakes, acting on the rear wheels	
Parking brake	Acting on the service brakes	
<b>STEERING</b>	Hydrostatic steering acting on central articulation	
<b>SAFETY</b>	Front homologated roll-bar	
<b>CONSOLE</b>	Analogue type with hour counter, engine speed and warning lights	
<b>TYRES</b> (standard)	6.50-16	
Optional	210/95R16 * 260/70R16 * 240/70-15 Garden	
<b>TOW HOOKS</b> (standard)	Front tow hook - Rear cat. C CUNA tow hook	
Optional	Rear tow hook, EC approved	
<b>WEIGHT in order of speed</b>		
With roll-bar (kg)	1040	1060
<b>OPTIONAL</b>	Adjustable rear working light kit, beacon lamp, weights for wheels kg. 40 each	

