

# TECHNICAL FEATURES EOS 6.60 RS

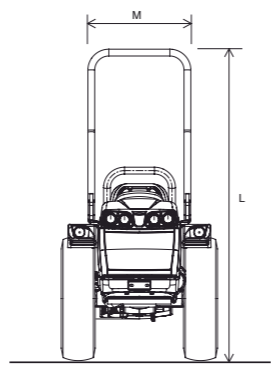
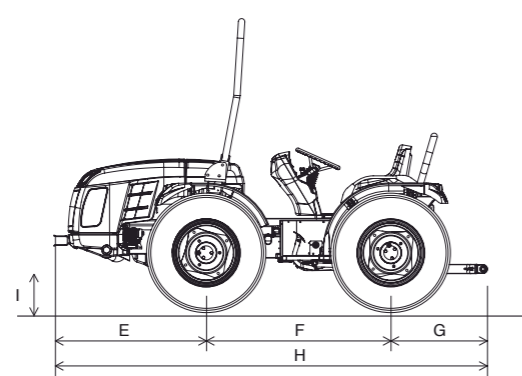
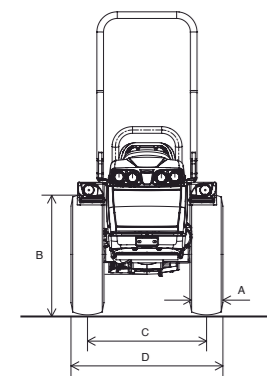
	8.25-16	250/80-18	280/70R18	320/65R18	260/70R20	31x15.50-15 XTC	31x15.50-15 STG	31x13.50-15 Garden
	WITH ADJUSTABLE RIM	WITH ADJUSTABLE RIM	WITH ADJUSTABLE RIM	WITH ADJUSTABLE RIM	WITH ADJUSTABLE RIM	WITH FIXED RIM	WITH FIXED RIM	WITH FIXED RIM
<b>A</b> Tyre width mm.	212	240	282	319	258	368	394	351
<b>B</b> Tyre height mm.	848	879	849	873	872	800	800	782
<b>C</b> Wheel track min/max mm.	999 - 1305	996 - 1312	984 - 1324	1074 - 1324	987 - 1325	1100 - 1208	1100 - 1208	1112 - 1196
<b>D</b> Width min/max mm.	1211 - 1517	1236 - 1552	1266 - 1606	1393 - 1643	1245 - 1583	1468 - 1576	1494 - 1602	1463 - 1547

TRACTOR DIMENSIONS EOS 6.60 RS (mm):

	E	F	G	H	I Min-Max	L Max	M
<b>EOS 6.60 RS</b>	1160	1340	730	3230	220/270	2220	675

STEERING RADIUS EOS 6.60 RS WITH THE FORESEEN WHEELS:

Tyre type	8.25-16	250/80-18	280/70 R18	320/65 R18	260/70 R20	31x15.50-15	31x13.50-15
mm	2800	2830	2930	2950	3350	3250	3200



	EOS 6.60 RS
<b>CHASSIS</b>	Swinging integral chassis OS-FRAME with steering wheels
<b>ENGINE</b>	4-cycle Diesel engine with direct injection
Manufacturer	KOHLER
Model	KDi 2504M
Number of cylinders	4
Displacement cm <sup>3</sup>	2482
Suction	Naturally aspirated
Power KW/HP	36 / 49
Nominal speed (rpm)	2600
Maximum tractor torque (Nm/rpm)	170 / 1500
Cooling	Water
Tank capacity (lt.)	45
<b>TRANSMISSION</b>	Synchronized gearbox: 24 speeds (12 forward and 12 reverse) with synchronized reverser
Main clutch	Multidisc, in oil bath
<b>DIFFERENTIAL</b>	Front and rear with simultaneous differential lock and electro-hydraulic control
<b>AXLES</b>	Front and rear, with epicyclic reduction units
<b>DRIVE</b>	Four-wheel drive, permanent
<b>POWER TAKE-OFF</b>	Rear, independent from the gearbox, 540 r.p.m. and synchronized with the gearbox. Engageable under load with brake in disengaged position
PTO clutch	Multidisc, in oil bath
Engagement control	Electro-hydraulic
<b>HYDRAULIC SYSTEM</b>	Double circuit with independent pumps
Flow rate to the hoist and the distributors (l/min.)	25,6
Flow rate to hydraulic pump which controls the hydroguide and electro-hydraulic control (l/min.)	15,3
Maximum hydraulic pressure [bar]	180
<b>DISTRIBUTORS</b>	Mechanical control to max. 6 hydraulic couplers
Rear (standard)	1 double acting (Hydraulic lift by rams) 2 double acting (Draft and position control)
Rear (optional)	1 single acting and 1 double acting with float or 2 double acting in addition to the standard one (Hydraulic lift by rams) 1 single acting and 1 double acting with float instead of the standard one (Draft and position control)
<b>ELECTRIC SYSTEM</b>	
Battery (Ah)	100
Alternator (A)	80
<b>REAR LIFT</b>	Standard: by two external rams - Optional: draft and position control
Three-point hitches	Standard: standard couplers cat. 1 - Optional: quick couplings cat. 1 or quick couplings cat. 1, L-shaped lift arms, lift rods adjustable in length and hooks adjustable in width
Three-point tie bar	With manual adjustment
Lifting capacity at the end of the arms kg	1200
<b>DRIVING UNIT</b>	
Driving platform	Monodirectional or reversible with rotating platform and twin pedal assembly
Steering wheel	Adjustable
<b>SEATS</b>	Standard: sprung seat - Optional: 'Bostrom' seat
<b>SERVICE BRAKES</b>	Oil immersed multidisc, acting on the rear transmission, with mechanical control
Parking brake	Acting on the service brakes
<b>STEERING</b>	With hydrostatic steering, acting on the front wheels. Flow deviator for steering unit for the reversible version
<b>SAFETY</b>	
Roll-bar frame (standard)	Front, homologated
<b>CONSOLE</b>	
Digital type	With chrono-tacho-gyrometer, water thermometer, control warning lights and acoustic alarm. Reading of rpm, forward speed and rotation speed of power takeoff
<b>TYRES</b>	
Standard	8.25-16
Optional	250/80-18 * 280/70R18 * 320/65R18 * 260/70-20 * 31x15.50-15 XTC and STG * 31x13.50-15 Garden
<b>TOW HOOKS</b>	
Standard	Rear CUNA and front
Optional	Rear rotating, EC approved
<b>WEIGHT OPERATIONAL</b>	
With roll-bar (kg)	1560
<b>OPTIONAL</b>	Accumulator for weight compensation HDR with Dual Floating System (only for reversible version), Flash light, front weight and weights for wheels