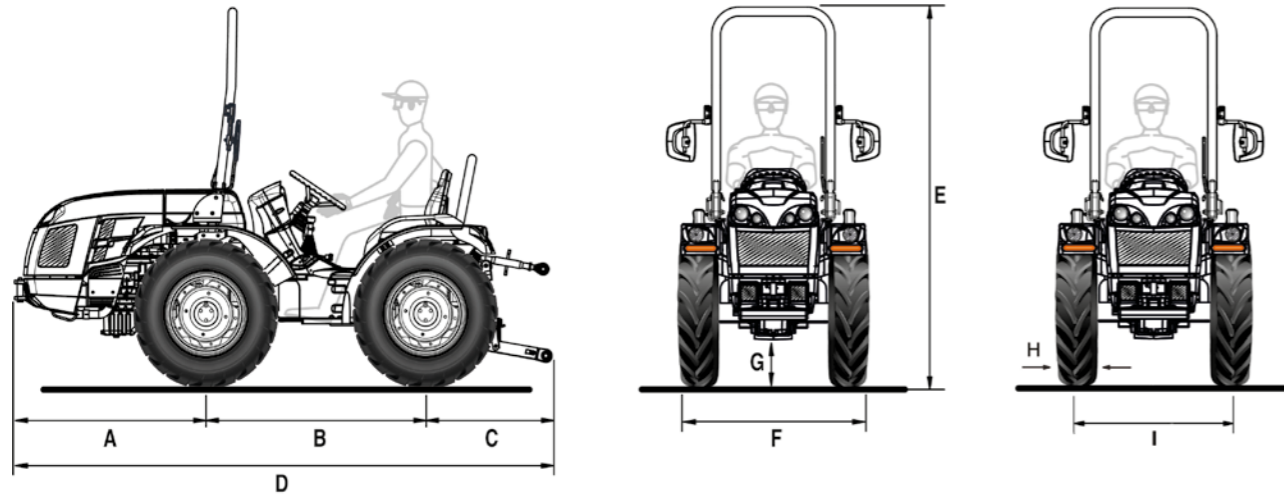


# SIENA 35 AR

## Data Sheet



A	B	C	D	E max	F min/max	G min/max
985	1200	705	2890	1990	989 / 1391	237 / 258

\* Dimensions in mm

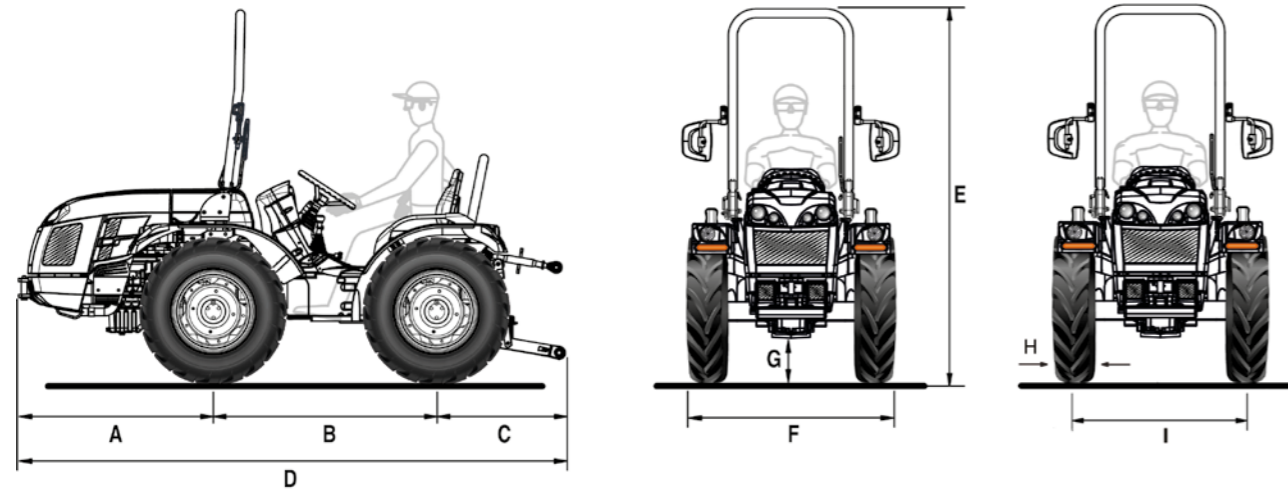
	6.50-16	210/95 R16 (7.50-16)	260/70 R16	240/70-15 Garden
	with adjustable rim	with adjustable rim	with adjustable rim	with fixed rim
H	183	209	258	253
I	806 / 1182	806 / 1182	882 / 1040	906 / 1082
F	989 / 1365	1015 / 1391	1140 / 1298	1159 / 1335

\* Dimensions in mm - min / max  
H = Tyre width - I = Wheel track - F = Tractor width

TECHNICAL FEATURES	SIENA 35 AR
<b>ENGINE</b>	Kubota D1105
No. of cylinders	3
Displacement (cc)	1123
Intake	Natural
Emissions compliance	Stage V
Power (kW/HP)	18.5 / 25
Rated speed (rpm)	3000
Max torque (Nm/rpm)	71.5 / 2200
Cooling	Liquid
Tank capacity (l)	43
<b>CHASSIS</b>	Swinging integral chassis (±15°) OS-FRAME with central articulation
<b>DRIVE</b>	Permanent four-wheel drive
<b>TRANSMISSION</b>	Gearbox with easy gear engagement: 8 FWD + 4 REV speeds
Min/max travel speed (km/h)	1.3 / 28
Transmission clutch	Dry single disc
<b>DIFFERENTIAL</b>	Front and rear with simultaneous locking and mechanical control
<b>REAR PTO</b>	At 540 rpm and synchronised with forwarding speed
Engagement control	Mechanical
<b>HYDRAULIC SYSTEM</b>	
Flow rate to the hydroguide, lift and control valves (l/min)	16.5
Maximum hydraulic pressure (bar)	125
<b>REAR CONTROL VALVES</b>	Mechanically controlled
Standard	1 double-acting (total 2 hydraulic outlets)
Optional and in addition to the standard ones	1 single-acting and 1 double-acting (total 5 hydraulic outlets) or 1 double-acting and 1 double-acting with delivery lockable position (total 6 hydraulic outlets)
<b>ELECTRIC SYSTEM</b>	60 Ah / 12 V battery - 40 A alternator
<b>REAR LIFT</b>	Raising/lowering, by two external rams
3-point implement hitch	With normal couplings cat. 1
Third point tie rod	With manual adjustment
Ball joint lifting capacity (kg)	950
<b>DRIVING POSITION</b>	With semi-platform
Steering wheel	Standard: fixed - Optional: height adjustable
Seat	With safety belt and man-on-board sensor. Comfort seat with longitudinal, height and spring adjustment according to the operator's weight
<b>SERVICE BRAKES</b>	Drum brakes acting on rear wheels
Parking brake	Acting on service brakes
<b>STEERING</b>	Hydrostatic steering acting on the central joint
<b>SAFETY</b>	Front homologated roll-bar with gas spring for easy lowering and lifting
<b>DASHBOARD</b>	With analogue instrumentation complete with operating hours indicator, engine rpm, forwarding speed and warning lights
<b>TYRES</b>	6.50-16 * 210/95R16 (7.50-16) * 260/70R16 * 240/70-15 Garden
<b>TOW HOOKS (standard)</b>	Front - Rear CUNA cat. B adjustable in height
Optional	Rear EC approved
<b>RUNNING ORDER WEIGHT with roll-bar (kg)</b>	1040
<b>ADDITIONAL OPTIONS</b>	Rear working light, beacon lamp, wheel weights kg 40 each.

# SIENA 35 RS

## Data Sheet



A	B	C	D	E max	F min/max	G min/max
985	1200	705	2890	1990	1069 / 1391	237 / 258

\* Dimensions in mm

	6.50-16	210/95 R16 (7.50-16)	260/70 R16	240/70-15 Garden
	with adjustable rim	with adjustable rim	with adjustable rim	with fixed rim
<b>H</b>	183	209	258	253
<b>I</b>	886 / 1182	886 / 1182	944 / 1102	906 / 1082
<b>F</b>	1069 / 1365	1095 / 1391	1202 / 1360	1159 / 1335

\* Dimensions in mm - min / max  
H = Tyre width - I = Wheel track - F = Tractor width

TECHNICAL FEATURES	SIENA 35 RS
<b>ENGINE</b>	Kubota D1105
No. of cylinders	3
Displacement (cc)	1123
Intake	Natural
Emissions compliance	Stage V
Power (kW/HP)	18.5 / 25
Rated speed (rpm)	3000
Max torque (Nm/rpm)	71.5 / 2200
Cooling	Liquid
Tank capacity (l)	43
<b>CHASSIS</b>	Swinging integral chassis (±15°) OS-FRAME with steering wheels
<b>DRIVE</b>	Permanent four-wheel drive
<b>TRANSMISSION</b>	Gearbox with easy gear engagement: 8 FWD + 4 REV speeds
Min/max travel speed (km/h)	1.3 / 28
Transmission clutch	Dry single disc
<b>DIFFERENTIAL</b>	Front and rear with simultaneous locking and mechanical control
<b>REAR PTO</b>	At 540 rpm and synchronised with forwarding speed
Engagement control	Mechanical
<b>HYDRAULIC SYSTEM</b>	
Flow rate to the hydroguide, lift and control valves (l/min)	16.5
Maximum hydraulic pressure (bar)	125
<b>REAR CONTROL VALVES</b>	Mechanically controlled
Standard	1 double-acting (total 2 hydraulic outlets)
Optional and in addition to the standard ones	1 single-acting (total 3 hydraulic outlets) or 1 double-acting (total 4 hydraulic outlets) or 1 double-acting with float (total 4 hydraulic outlets)
<b>ELECTRIC SYSTEM</b>	60 Ah / 12 V battery - 40 A alternator
<b>REAR LIFT</b>	Raising/lowering, by two external rams
3-point implement hitch	With normal couplings cat. 1
Third point tie rod	With manual adjustment
Ball joint lifting capacity (kg)	950
<b>DRIVING POSITION</b>	With semi-platform
Steering wheel	Standard: fixed - Optional: height adjustable
Seat	With safety belt and man-on-board sensor. Comfort seat with longitudinal, height and spring adjustment according to the operator's weight
<b>SERVICE BRAKES</b>	Drum brakes acting on rear wheels. Independent manoeuvring brakes acting on the rear wheels
Parking brake	Acting on service brakes
<b>STEERING</b>	Hydrostatic steering acting on the front wheels
<b>SAFETY</b>	Front homologated roll-bar with gas spring for easy lowering and lifting
<b>DASHBOARD</b>	With analogue instrumentation complete with operating hours indicator, engine rpm, forwarding speed and warning lights
<b>TYRES</b>	6.50-16 * 210/95R16 (7.50-16) * 260/70R16 * 240/70-15 Garden
<b>TOW HOOKS (standard)</b>	Front - Rear CUNA cat. B adjustable in height
Optional	Rear EC approved
<b>RUNNING ORDER WEIGHT with roll-bar (kg)</b>	1060
<b>ADDITIONAL OPTIONS</b>	Independent from gearbox rear PTO at 540 rpm (with electro-hydraulic control and multi-disc oil bath clutch) and synchronised with forwarding speed, rear working light, beacon lamp, wheel weights 40 kg each.